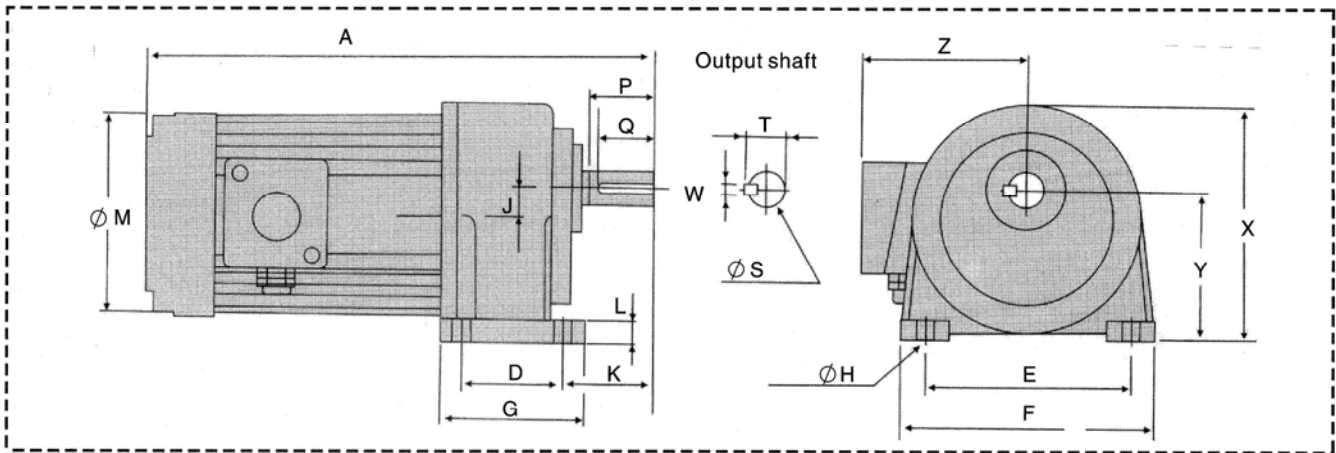




PowerGrinder Specifications



all dimensions are in millimeters (mm)

Horse Power: 1/2

Watts: 400

Gear Ratio:	A	D	E	F	G	H	L	J	K	M	X	Y	Z	P
7.5:1, 10:1	323	65	130	163	90	11	15	18.2	56	127	152	97.5	105	40

Weight

Kg / Lbs

11 / 32

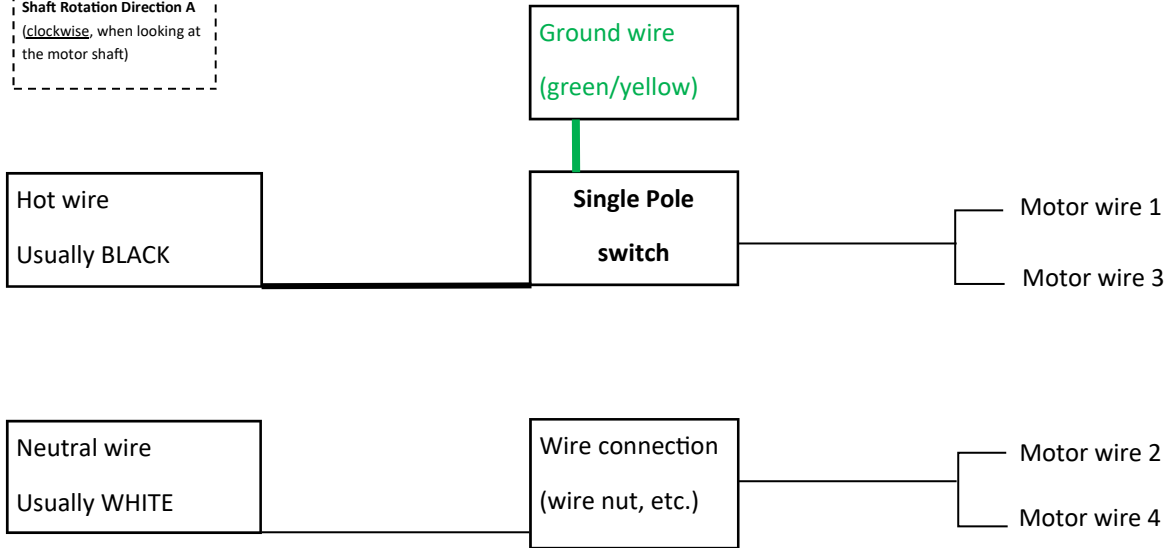
Shaft dimensions

P	Q	S	T	W
40	35	22	25	6

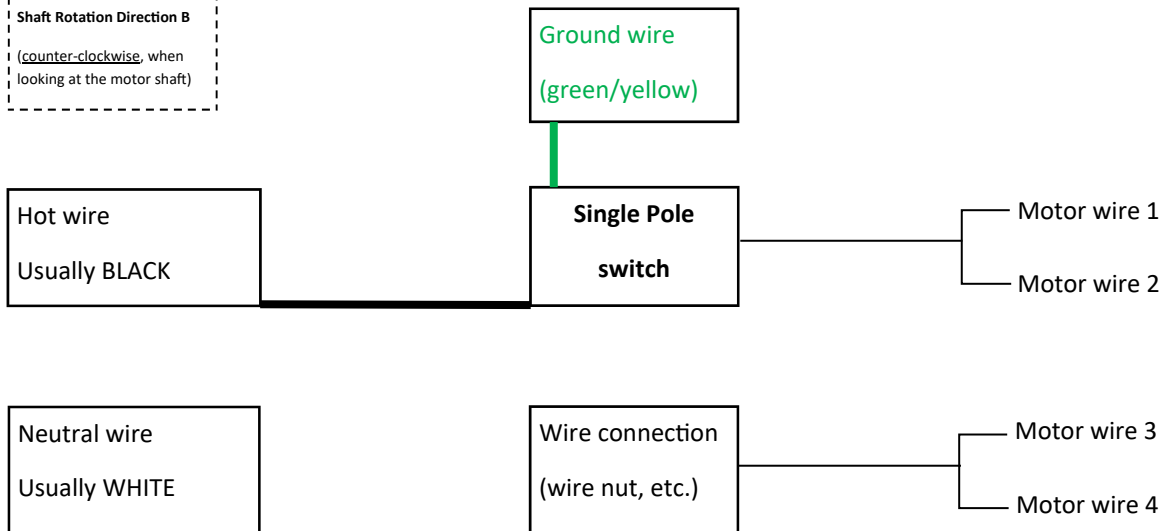


Single Pole Switch Connection

Shaft Rotation Direction A
(clockwise, when looking at the motor shaft)



Shaft Rotation Direction B
(counter-clockwise, when looking at the motor shaft)



WARNING!

Never connect a hot wire / power source directly to the motor. Always connect the hot wire to a switch.

ALWAYS consult with a licensed electrician before